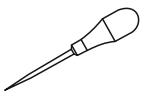
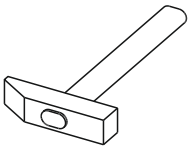
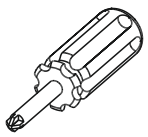
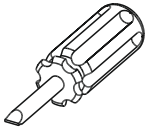
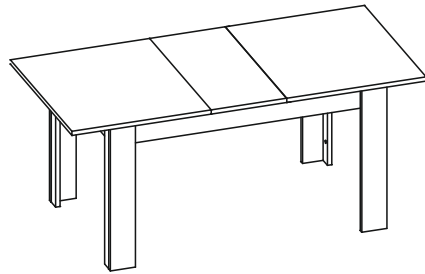
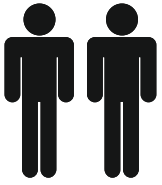


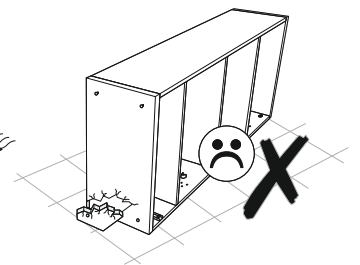
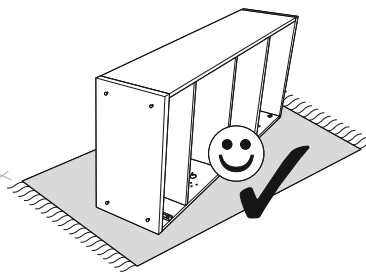
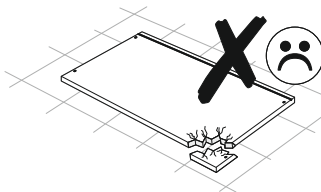
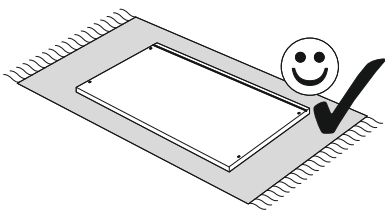
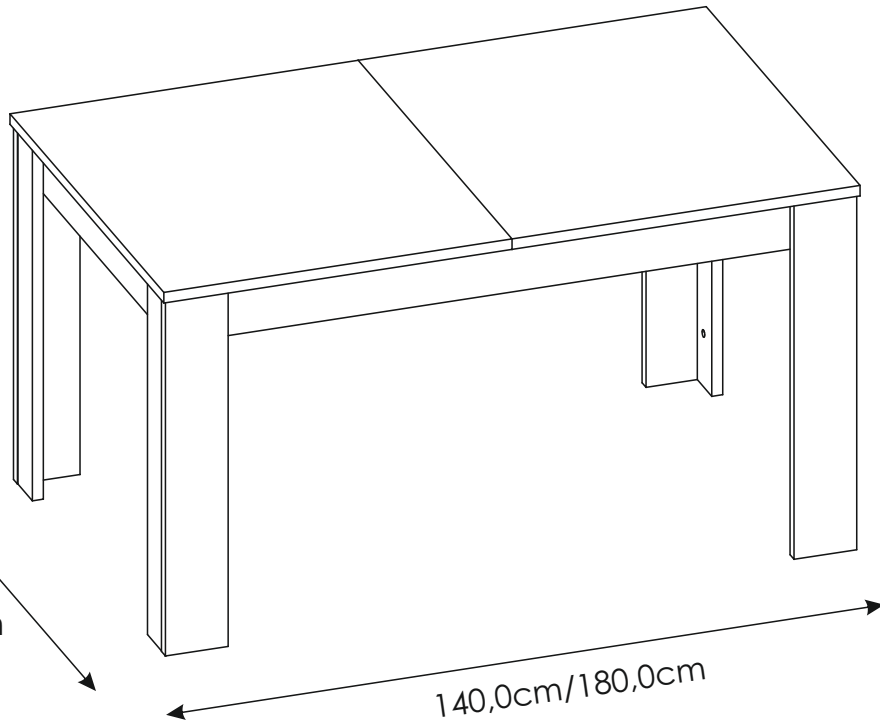
# LEONARDO LYOT03

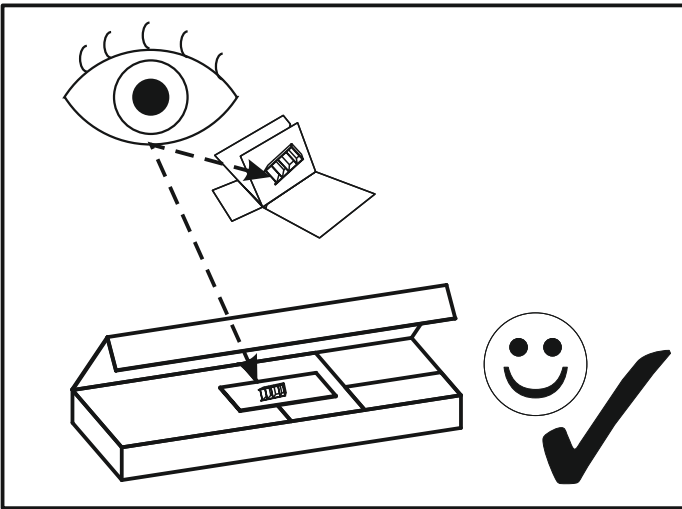


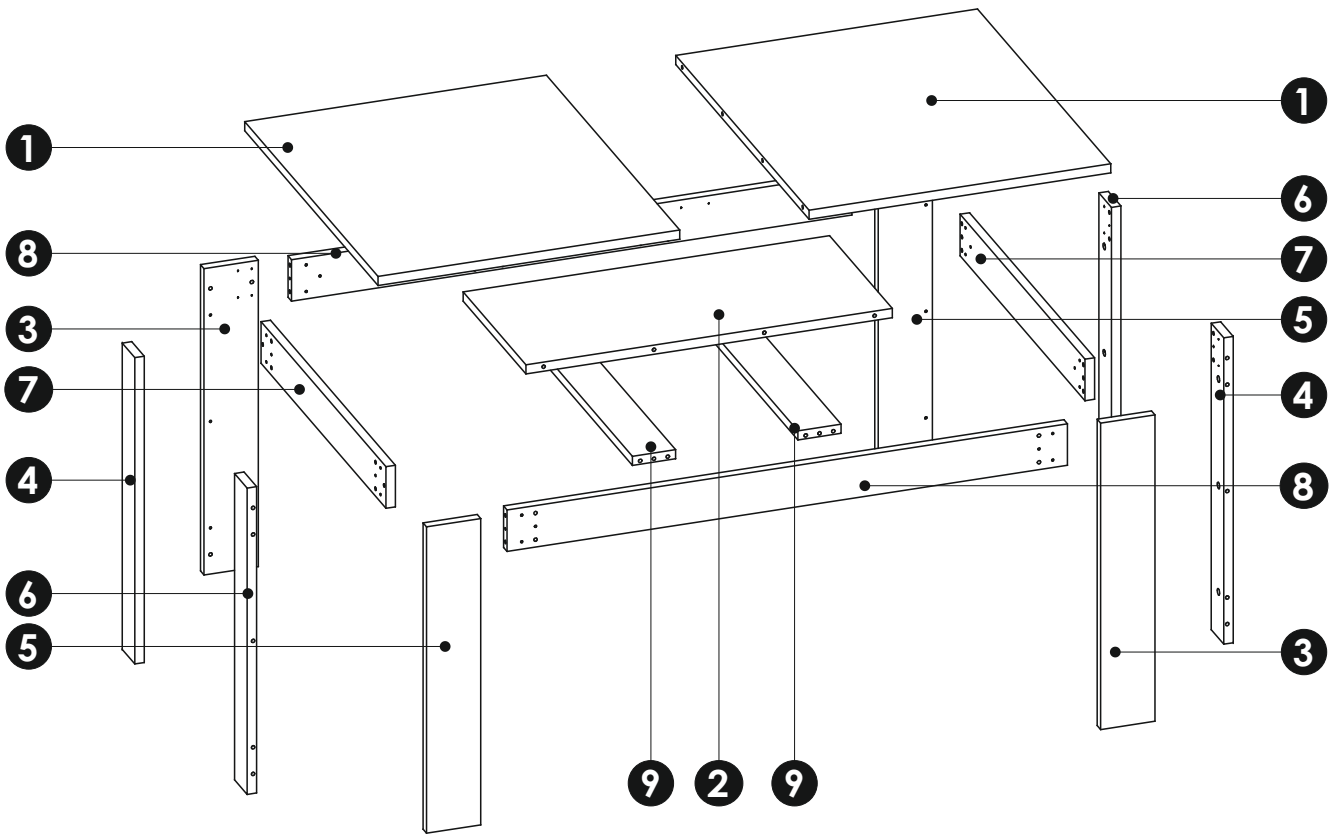
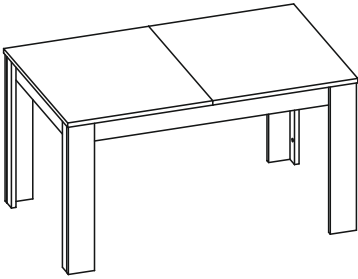
76,6cm

85cm

140,0cm/180,0cm







<b>1</b>	850	700	22 x2	2/2
<b>2</b>	850	400	22 x1	2/2
<b>3</b>	737	126	22 x2	1/2

<b>4</b>	737	80	22 x2	1/2
<b>5</b>	737	126	22 x2	1/2
<b>6</b>	737	80	22 x2	1/2

<b>7</b>	796	100	22 x2	1/2
<b>8</b>	1300	100	22 x2	1/2
<b>9</b>	752	100	22 x2	2/2



MM

260

250

240

230

220

210

200

190

180

170

160

150

140

130

120

110

100

90

80

70

60

50


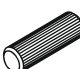


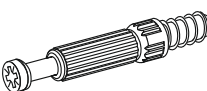
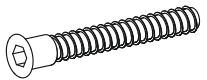


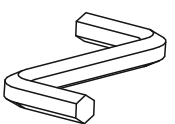
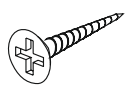

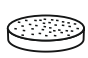
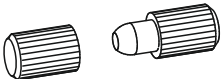
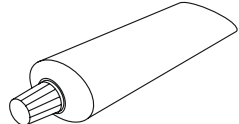
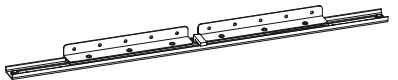
40

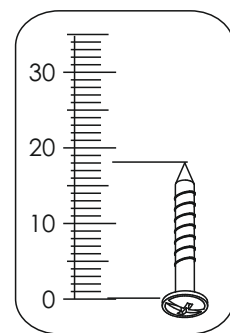
30

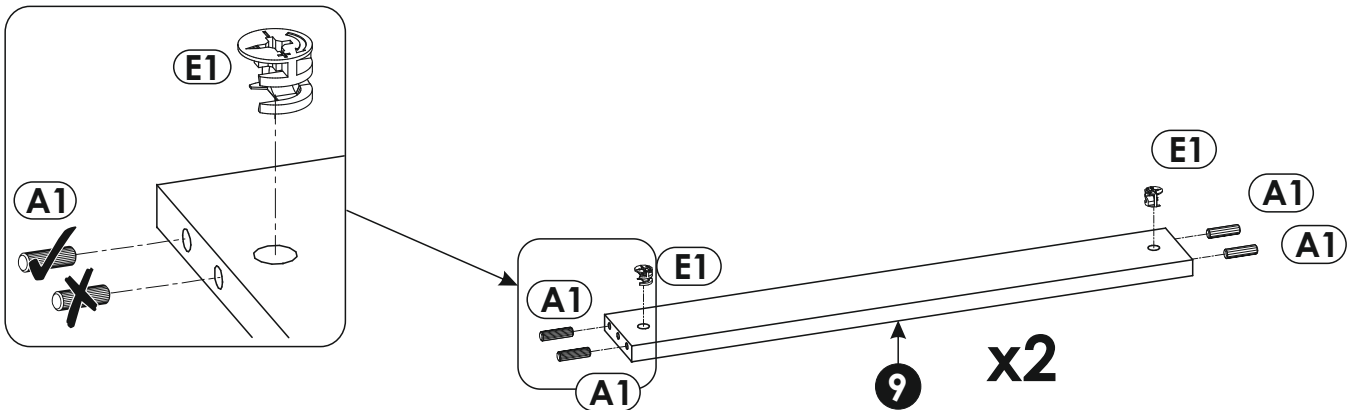
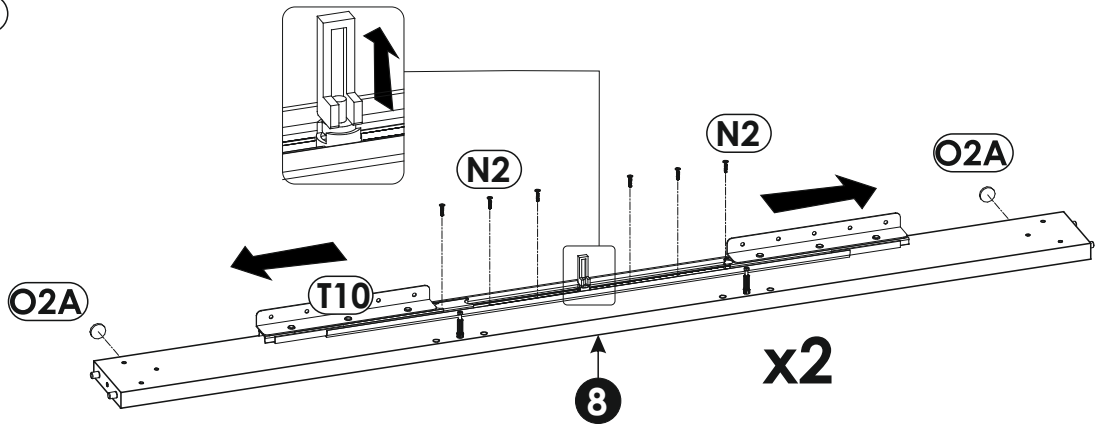
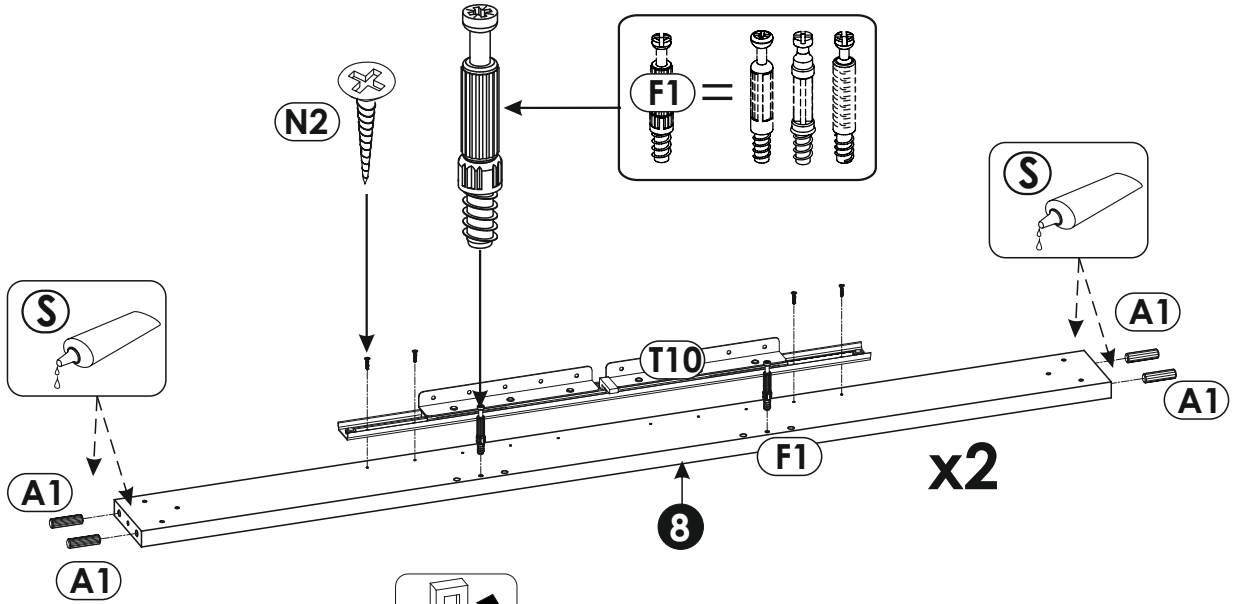
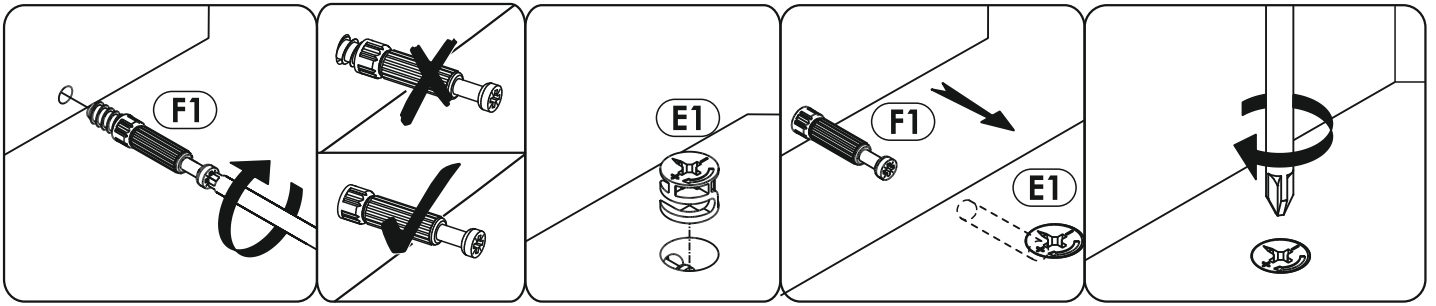
20

10

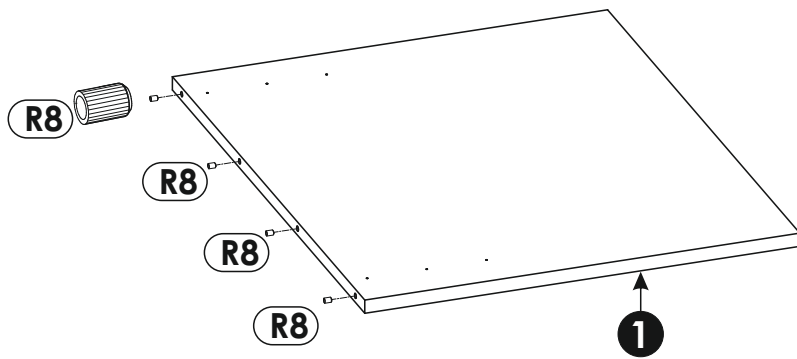
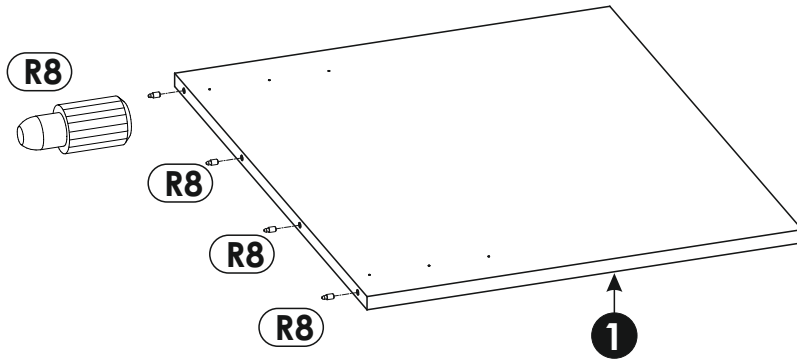
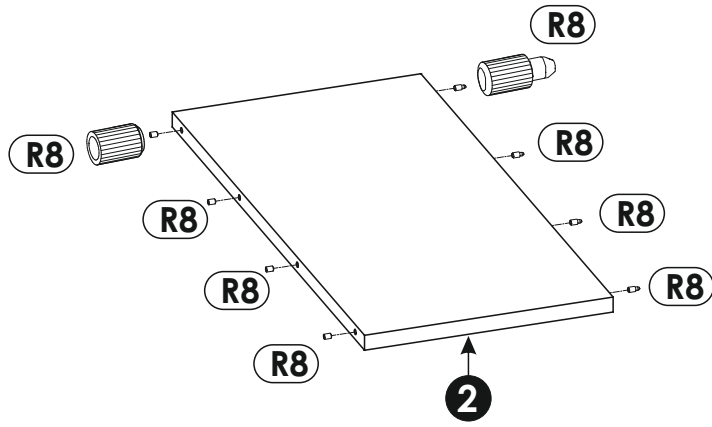
0

<b>A0</b> 8 x 24 mm x16 	<b>A1</b> 8 x 35 mm x24 	<b>E1</b> 15 x 12 mm x16 
<b>E0</b>  x16	<b>F1</b> 6 x 34 mm x16 	<b>G2</b> 7 x 60 mm x4 
<b>I1</b> 4 x 20 mm x20 	<b>I12</b> 4 x 40 mm x24 	<b>M</b>  x1
<b>N2</b> 3,5 X 16 mm x20 	<b>O2</b>  x8	<b>O2A</b> ø20 x4 
<b>R8</b>  x8	<b>S</b>  x1	<b>T10</b> L-700 x2 

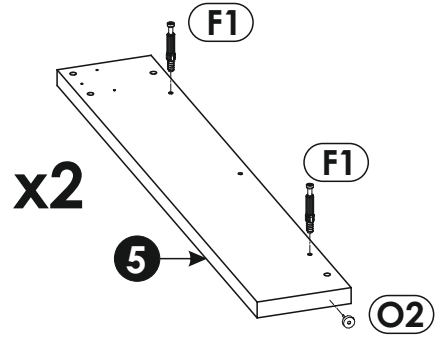
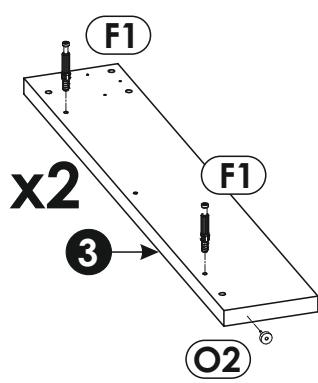
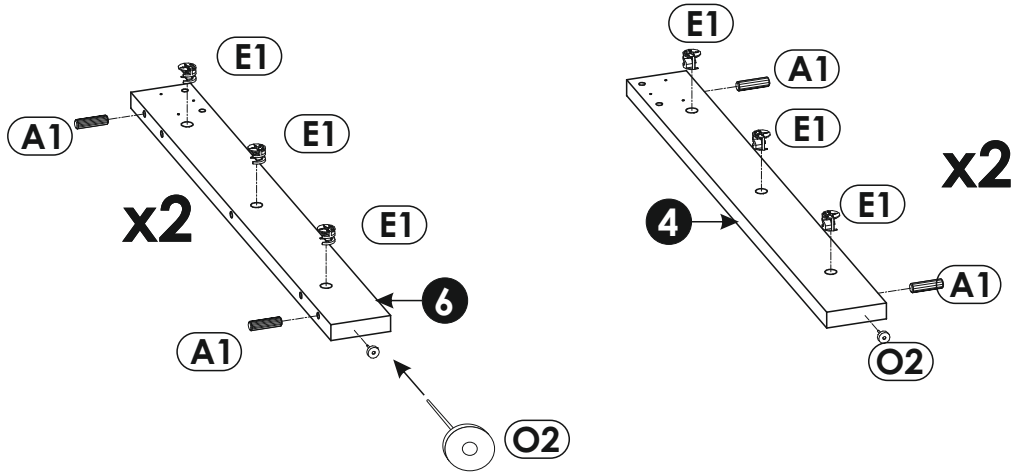




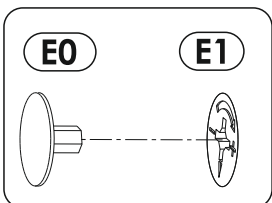
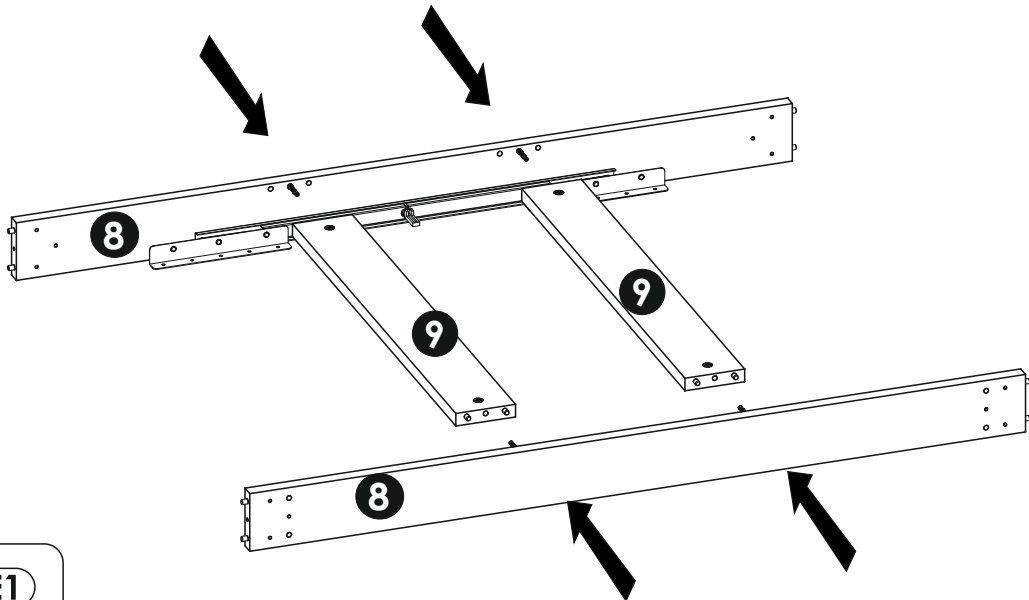
2▶



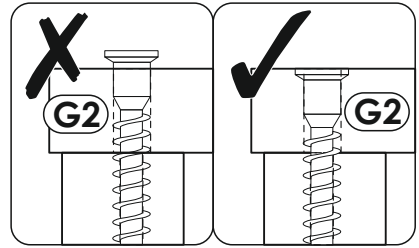
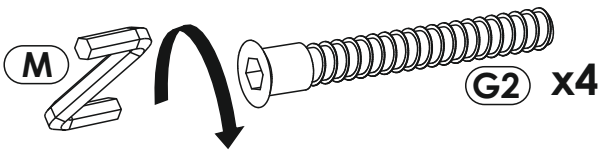
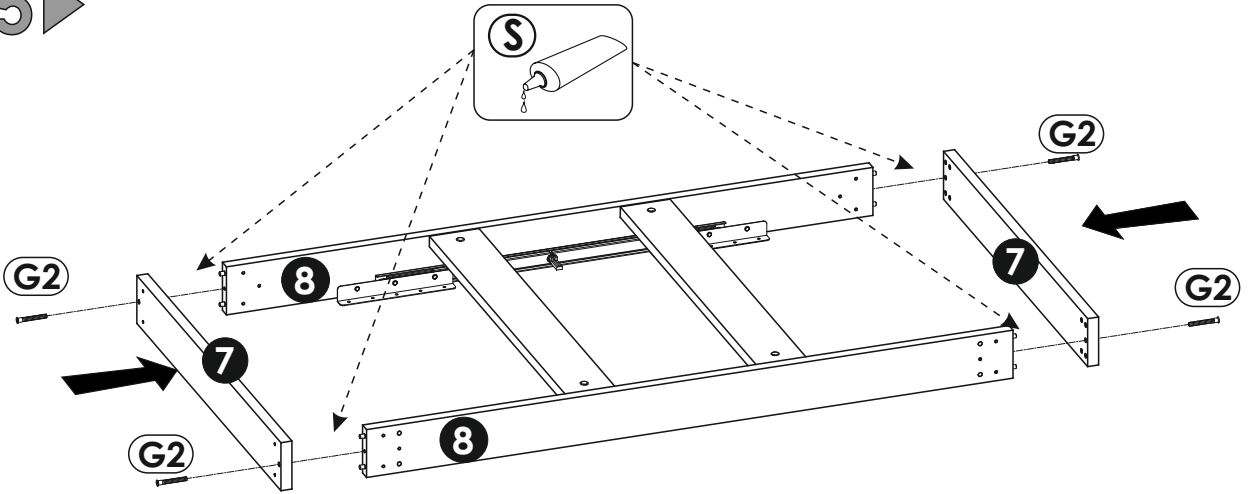
3 ▶



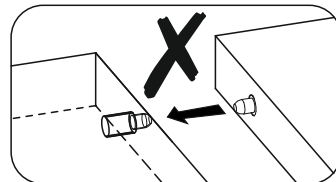
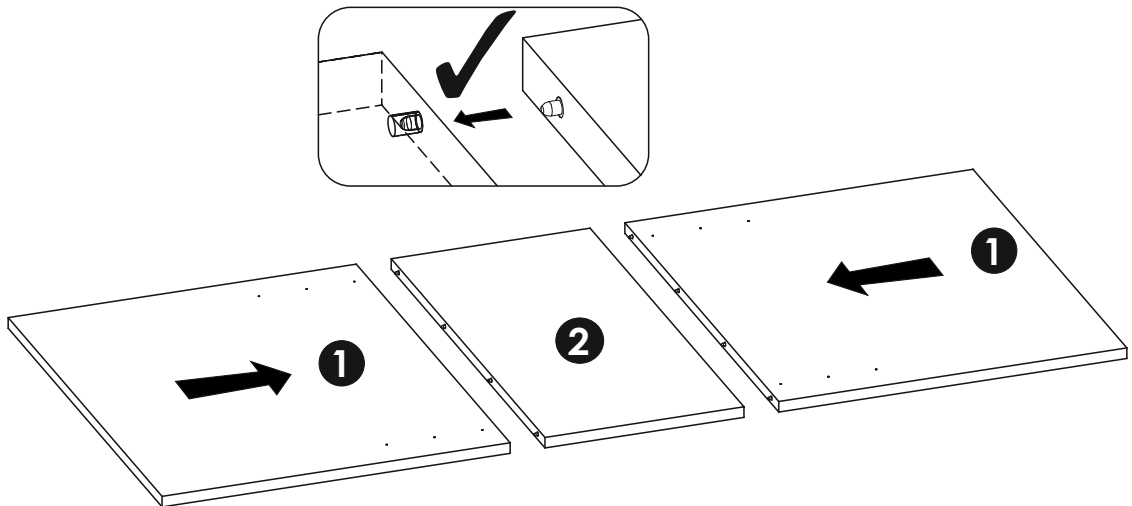
4 ▶



5 ▶

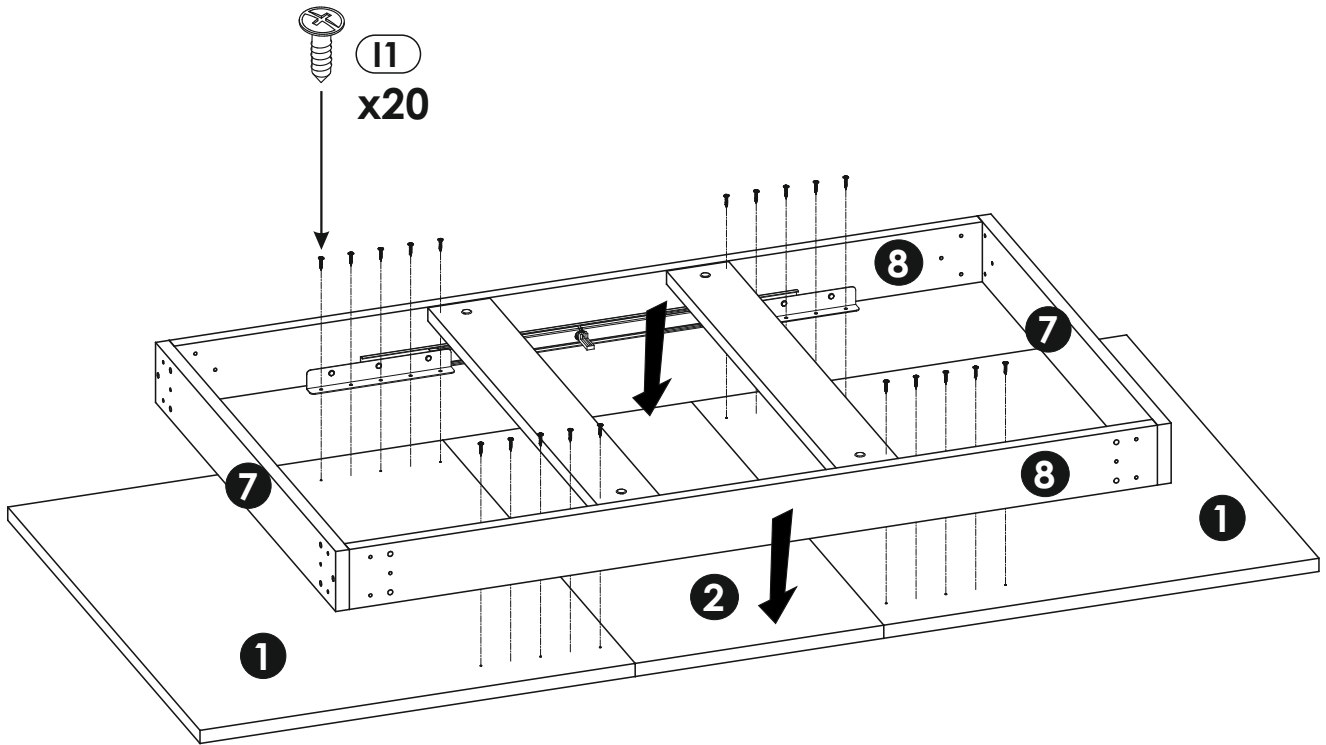


6 ▶

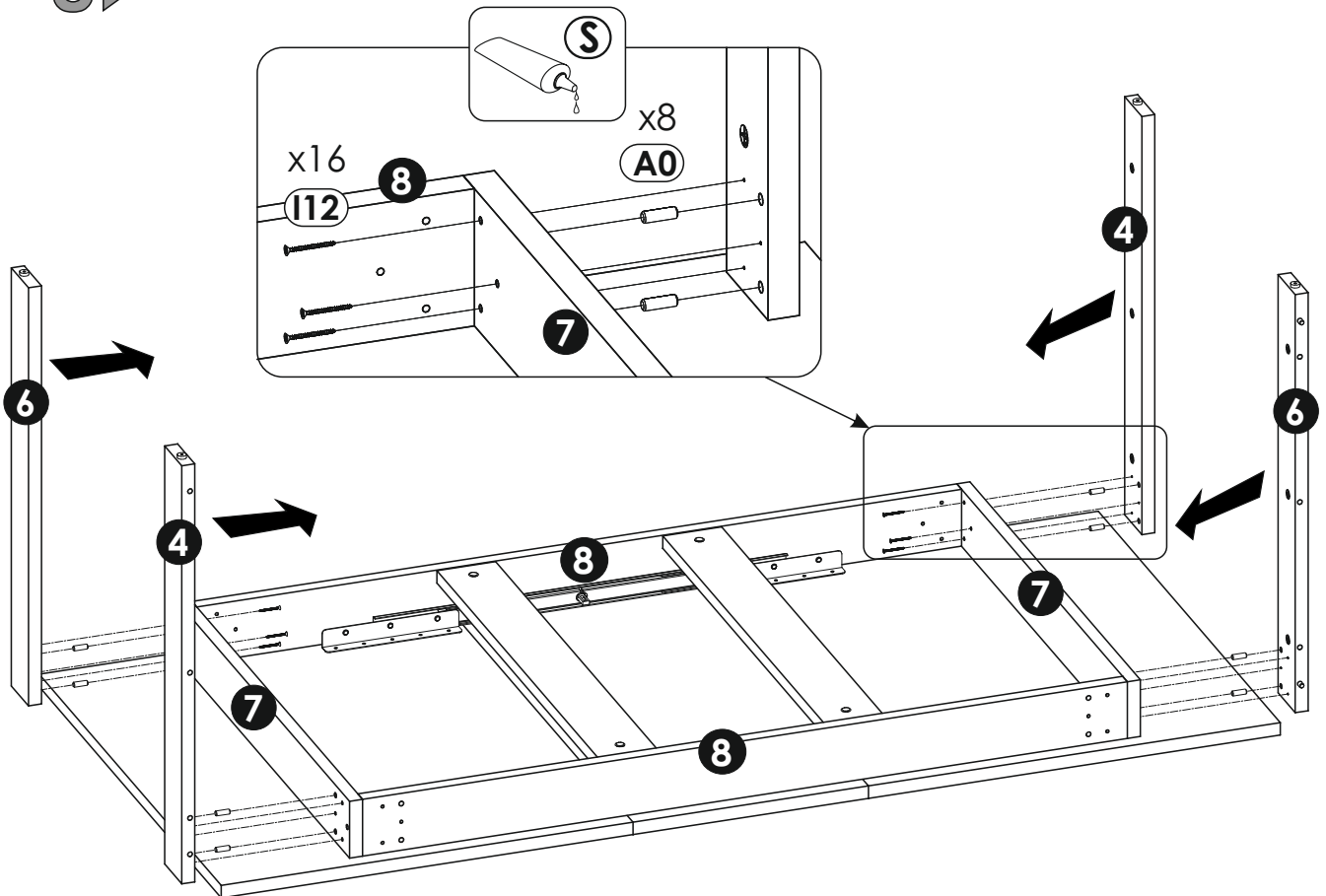


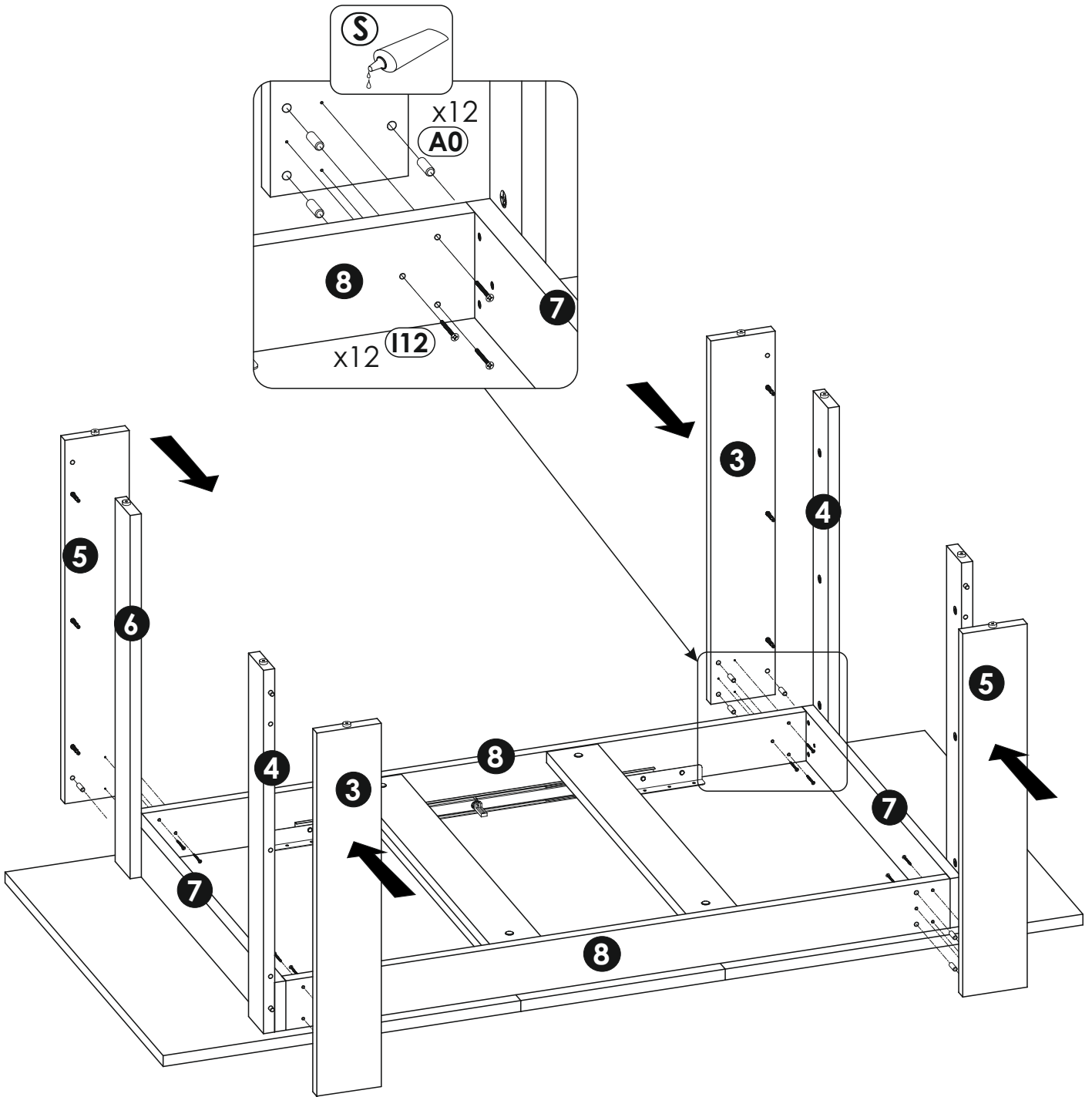


7 ▶

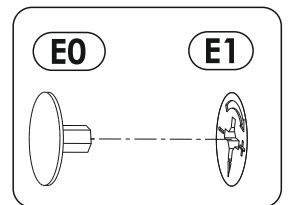


8 ▶

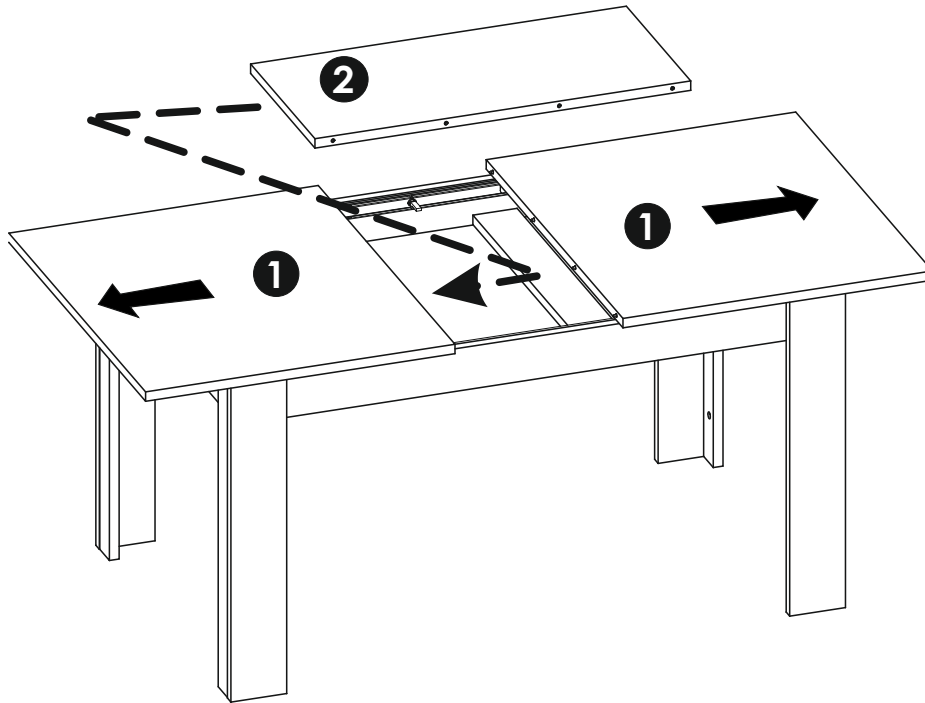




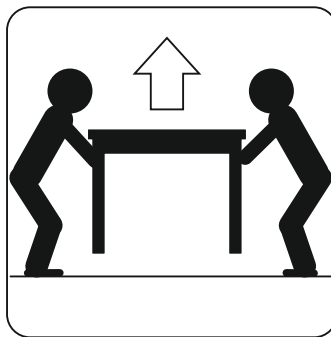
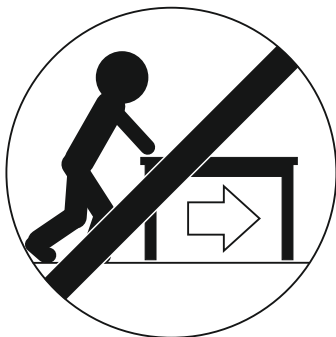
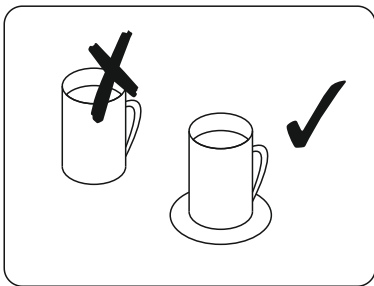
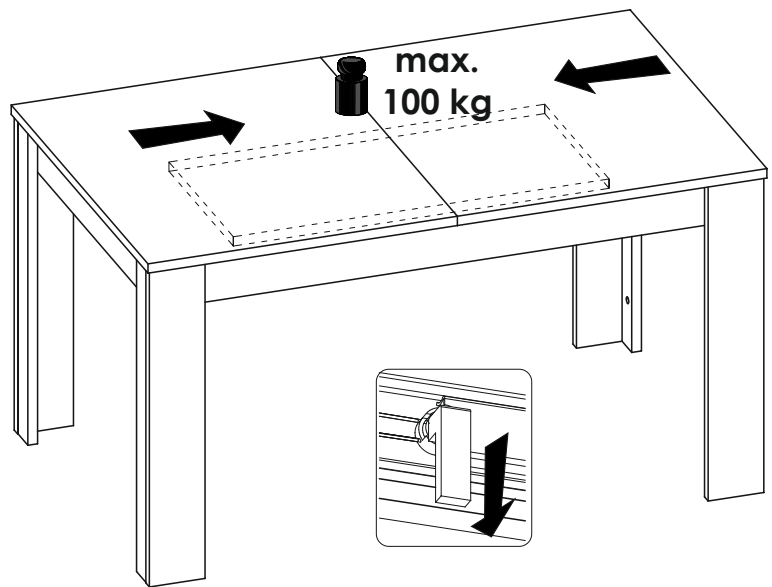
30min

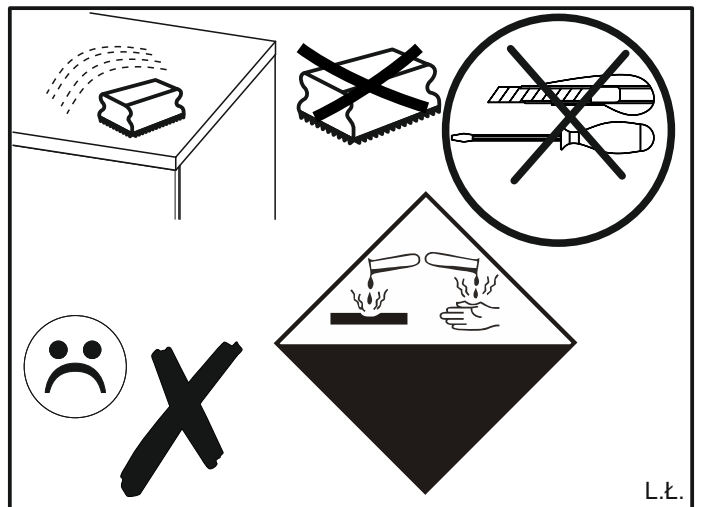
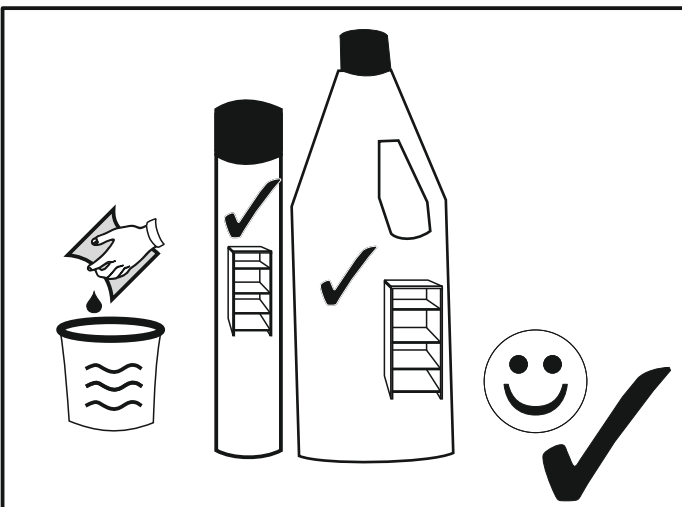
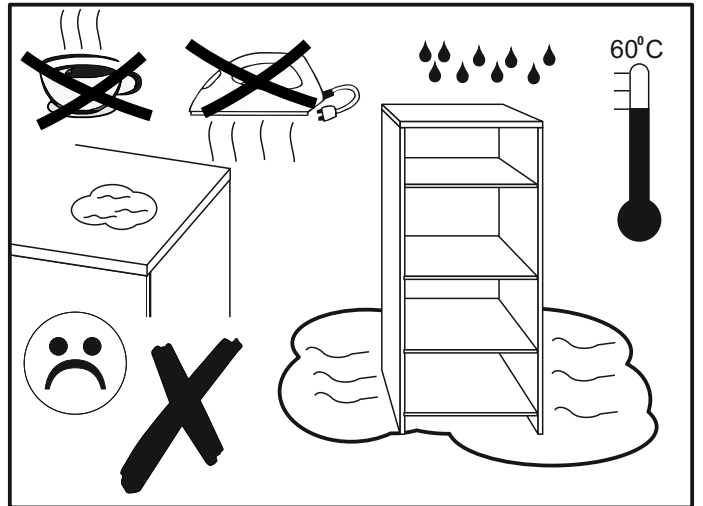
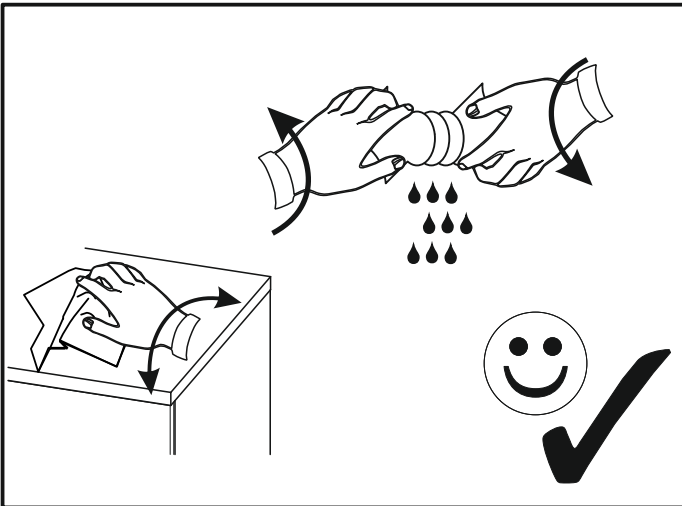
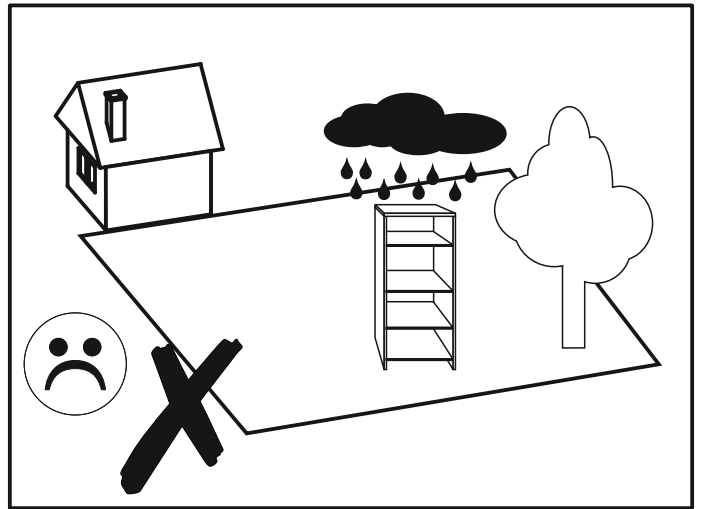
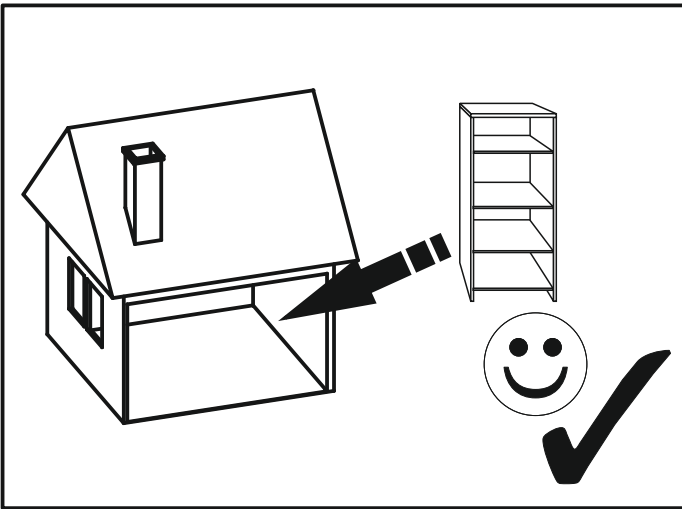


10 ▶



11 ▶





L.L.